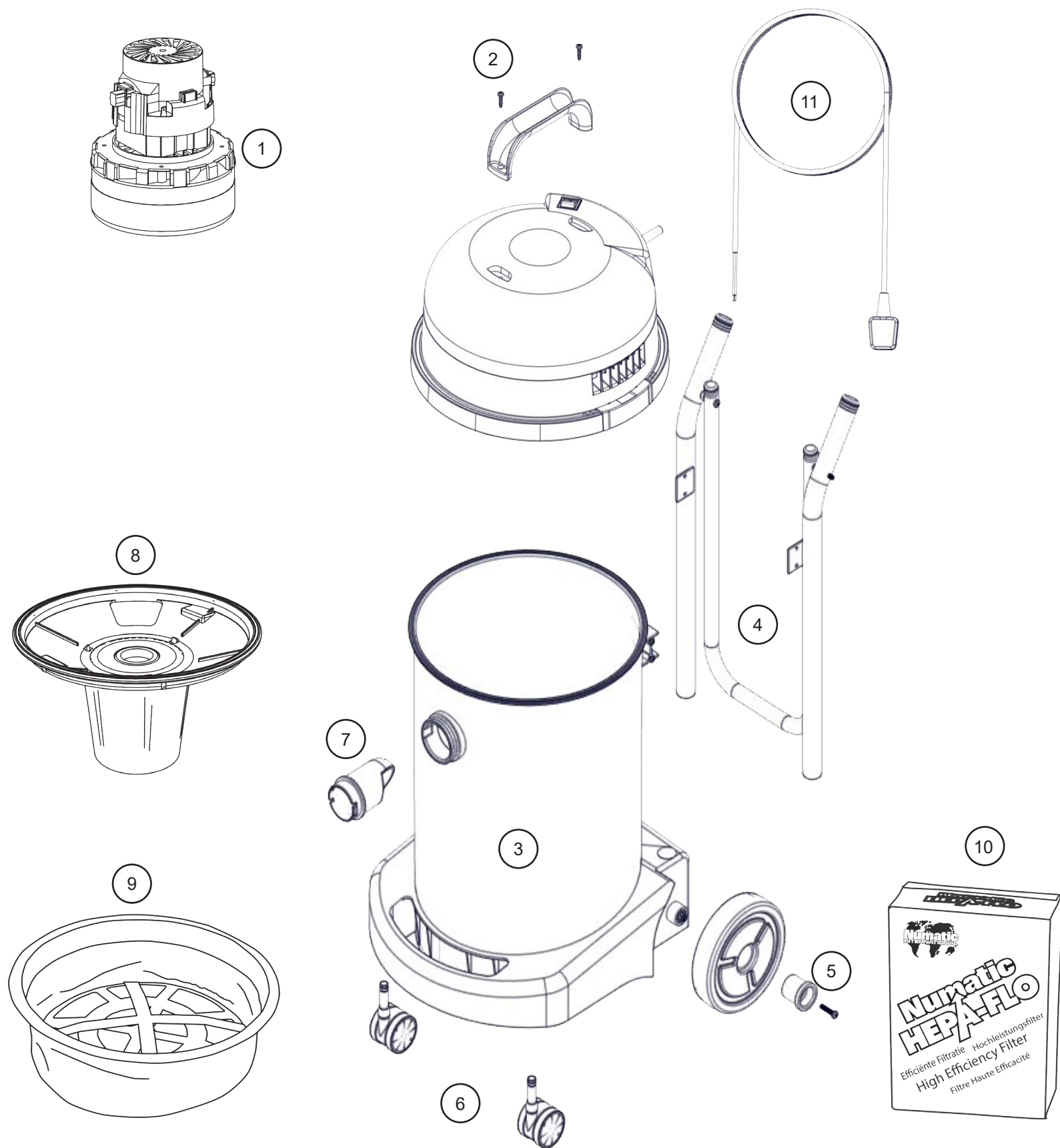


## Exploded Spares - WV.470



1	230V 2 STAGE D.I BYPASS ACUSTEK MOTOR (BL21104T)(MARKED 230V)TCO(REF119847-00)	205443
2	HANDLE (EXTRA-VAC)	206451
	NO8.1 INCH LG.POZI-PAN.SCREW.STAINLESS STEEL.PLASTITE	219369
3	470 DRUM ASSY BLUE	500362
4	470 M/C PIVOT HANDLE PAINTED BLACK	321002
	L.H. HANDLE SUPPORT WELD ASSY (LESS 9MM NUTSERT HOLE) PAINTED BLACK	319056
	R.H. HANDLE WELD ASSY (LESS 9MM NUTSERT HOLE)	319054
	TUBE END STOP(FIT NVM39B)(19MM)	20638V
	NO8.5/8 INCH LG.POZI-PAN.SCREW.Z/PL.PLASTITE	219105
5	150MM DIA MOULDED WHEEL	204071
	WHEEL HUB FOR 2 SHOT WHEEL	227868
	M5.25MM LG.POZI-PAN.SCREW.Z/PL	219057
	WASHER.M5.SINGLE COIL.Z/PL [1]	219648
6	50MM TWIN WHEEL CASTOR WITH PU TYRE (REF HF0380)	204111
7	BAG CONNECTOR (WET AND DRY)	225085
8	WV/CVC FLOAT CAGE ASSEMBLY	502136
9	12 INCH FILTER + GRID (DOUBLE BOTTOM) 160GRM SMS	909559
10	BOX OF 10 NVM-3AH HEPAFLO BAGS	604018
11	10 METRE X 1.0MM X 2 CORE YELLOW CABLE WITH UK PLUG	911552

### Genuine Accessories (Kit A11/85)

