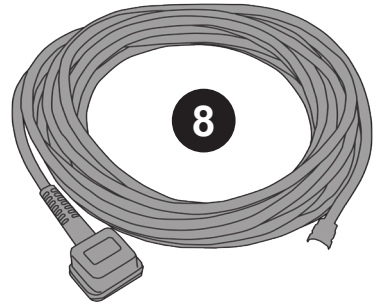
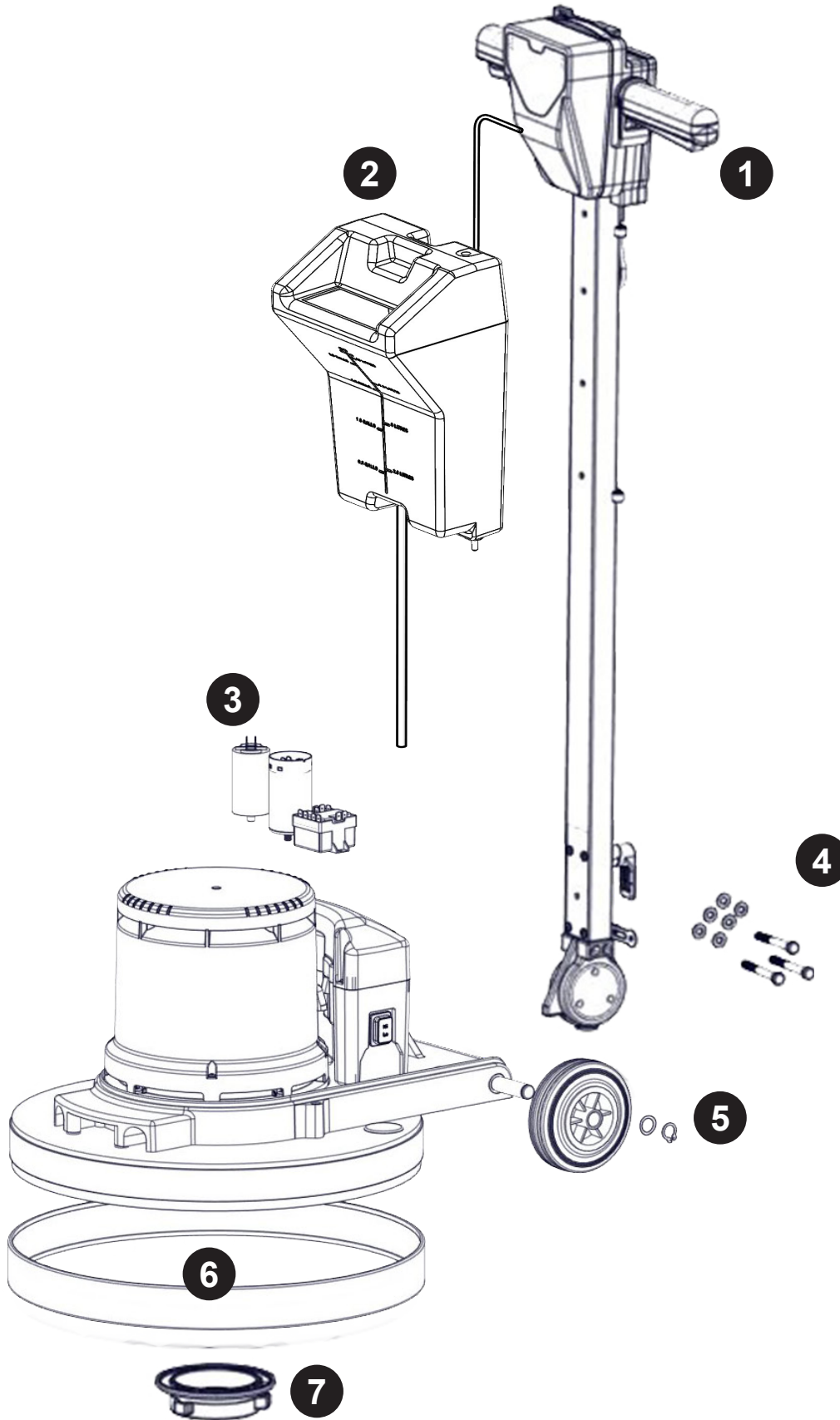


HFT 1530 Exploded Spares

HI-LINE RANGE



HFT1530G Twin Speed

Brush Speed **150** rpm

* Scrubbing

Brush Speed **300** rpm

* Polishing

| Num | Description | Num |
|------------|---|------------|
| 1 | HFM.HANDLE.SILVER.V11.C/W RED TRIM | 905903 |
| 2 | HFM / NPR / BMD SOLUTION TANK (MDA-1) BOXED | 606890 |
| 3 | MOTOR RUN CAPACITOR 25 MFD 450V D/FASTON + STUD . PLASTIC CASE (4.16.10.26.64) | 220897 |
| | MOTOR START CAPACITOR 150MFD 280V C/W RESISTOR AND M8 STUD (REF 412.80.4535) | 205088 |
| | 230V SINGLE SPEED VOLTAGE RELAY (1000W) | 208528 |
| 4 | M8.70MM LG.HEX.BOLT.Z/PL | 219213 |
| | WASHER.M8.FORM A.Z/PL | 219010 |
| | NUT.M8.NYLON INSERT.Z/PL | 219078 |
| 5 | WHEEL GREY BLACK HUB TYPE 61 | 229060 |
| | WASHER.WAVE.21.5MM.16.3MM | 219219 |
| | EXTERNAL CIRCLIP 7100-016 | 229051 |
| 6 | MEDIUM BUFFER RING 1300 GREY | 206478 |
| 7 | DIE CAST CHUCK MACHINED | 230207 |
| 8 | MAINS CABLE.YELLOW.15000.1m5.3.UK PLUG.PUSH ON CONNECTORS | 911787 |

HFT1530G

| | | | |
|--------|---|--------|---|
| 606890 | HFS / HFM Solution Tank (Optional Solution Tank) | 606207 | Wire Scarifying Brush (Preparation of Concrete Flooring) |
| 606077 | HFM 10Kg Weight (Increased Brush Pressure) | 606079 | HFM / NR Dustrol Control Brush Ring |
| 906412 | HFM / NPR Dustrol Kit (Grey) (Optional Vacuum kit) | 606325 | HFM Spraytec Kit (Optional Spray Kit) |
| 606208 | 400mm Carbotex Grinding Disc (High Abrasive Properties) | 612002 | 20m Cable roll Extension UK (Extension Lead) |
| 606209 | 400mm Sandotex Drive Disc (High Abrasive Properties) | 612003 | 20m Cable Roll Extension EURO (Extension Lead) |
| 606211 | 400mm Heavy Duty Scarifying Disc (Spirotex 6 Head Heavy duty scarifying board) | 606202 | 450mm Union Mix Brush (Polishing Brush) |
| 606305 | 450mm LongLife Scrubbing Stripping Brush (heavily soiled traffic areas) | 606401 | 400mm PadLoc Drive Board |
| 606306 | 450mm LongLife Scrubbing Brush (toughest scuff marks) | 606203 | 450mm Polyscrub Scrubbing Brush (Hard Flooring) |
| 606307 | 450mm LongLife Light Scrubbing Brush (general floor cleaning pad) | 606411 | 400mm Flexi PadLoc Drive Board |
| 606204 | 450mm Nyloscrub Shampoo Brush (Delicate Floors & Shampoo brush) | 606412 | 400mm High Speed Spider PadLoc Drive Board |
| 900969 | Nuplex Pads 3Pack 430mm (For a Wide Range of Applications) | 900974 | NuPlex 5 pack 430mm (For a Wide Range of Applications) |

Numatic International Limited. Chard, Somerset TA20 2GB
ENGLAND Tel: 01460 68600 www.numatic.co.uk

Numatic International GmbH. Fränkische Straße 15–19. D-30455 Hannover,
DEUTSCHLAND Tel: 05 11 98 42 16 0 www.numatic.de

Numatic International SAS. 13 / 17 rue du Valengelier. EAE La Tuilerie – 77500
CHELLES, FRANCE Tel: 01 64 72 61 61 www.numatic.fr

Numatic International BV. Vennootsweg 15, 2404 CG, Alphen aan den Rijn,
NEDERLAND Tel: 0172 467 999 www.numatic.nl

Numatic International (Pty.) Ltd. 16th & Pharmaceutical Roads, Midrand, Gauteng,
SOUTH AFRICA 1685 Tel: 0861 686 284 www.numatic.co.za

Numatic International Schweiz AG. Sihlbruggstrasse 3A, 6340 Baar.
SCHWEIZ Tel: 0041 (0) 41 76 80 76 - 0 www.numatic.ch

Numatic International ULDA. Rua da Boa Viagem, 177. 4470.210 Maia.
PORTUGAL Tel: +351 220 047 700 www.numatic.pt

Numatic International SLU. C/ La Forja, 41, 08840 Viladecans. (Barcelona),
SPAIN Tel: +34 93 647 22 22 www.numatic.es

Numatic International DENMARK. Fränkische Straße 15–19. D-30455 Hannover,
DEUTSCHLAND Tel: 05 11 98 42 16 0 www.numatic-online.dk