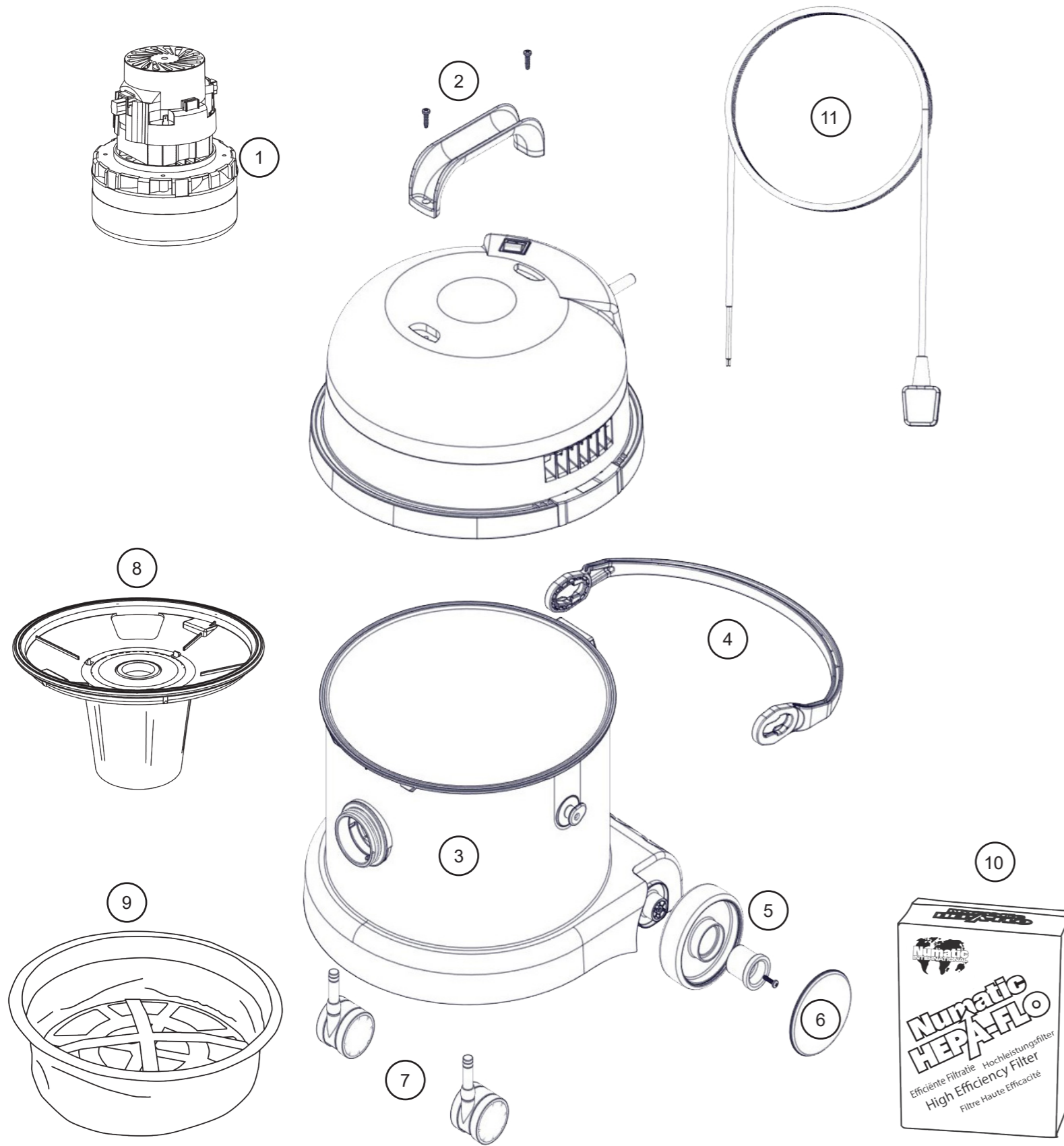
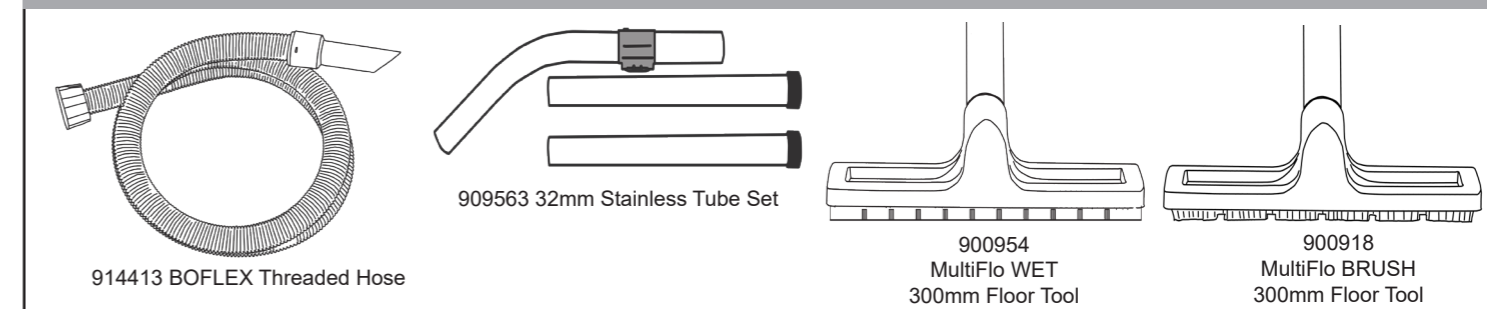


## Exploded Spares - WV.370



1	230V 2 STAGE D.I BYPASS ACUSTEK MOTOR (BL21104T)(MARKED 230V)TCO(REF119847-00)	205443
2	HANDLE (EXTRA-VAC)	206451
	NO8.1 INCH LG.POZI-PAN.SCREW.STAINLESS STEEL.PLASTITE	219369
3	370 BLUE DRUM CONFIGURATION 2 ASSEMBLY	908663
4	370 DRUM HANDLE	907190
5	WHEEL HUB FOR 2 SHOT WHEEL	227868
	HENRY WHEEL 2 SHOT MOULDING	227640
	NO8.5/8 INCH LG.POZI-PAN.SCREW.Z/PL.PLASTITE	219105
6	TRIM FOR 2 SHOT WHEEL (BLACK)	227638
7	50MM TWIN WHEEL CASTOR WITH PU TYRE (REF HF0380)	204111
8	WW/CVC FLOAT CAGE ASSEMBLY	502136
9	12 INCH FILTER + GRID (DOUBLE BOTTOM) 160GRM SMS	909559
10	BOX OF 10 NVM-2BH HEPAFLO BAGS	604016
11	10 METRE X 1.0MM X 2 CORE YELLOW CABLE WITH UK PLUG	911552

### Genuine Accessories (Kit A11/85)



[www.numatic.co.uk](http://www.numatic.co.uk)